

FRONT-END COUNTERWEIGHT

MODEL NO. TA0331RO

assembly

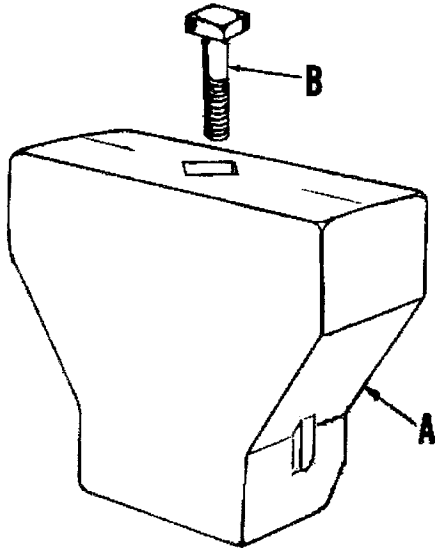


FIG. 1

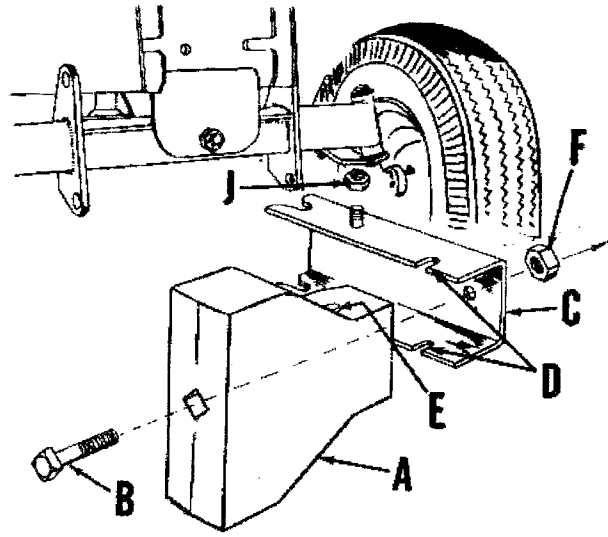


FIG. 2

1. Set weight (A), in position shown in Fig. 1. Drop bolt (B), in open hole of weight with bolt threads downward.
2. Turn weight (A), over on its side to position shown in Fig. 2.
3. Refer to Fig. 2. Place weight channel (C), over weight (A), so that slots (D), in weight channel (C), slide over lugs (E), on weight (A).
4. Secure weight channel (C), to weight (A), with hex nut (F).

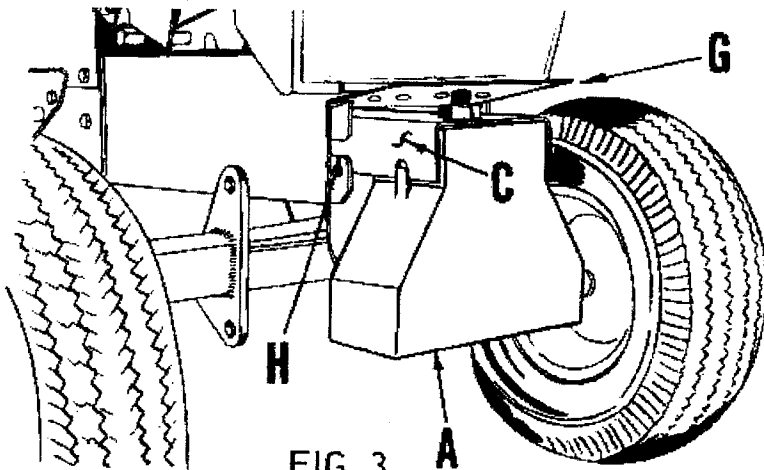


FIG. 3

5. Lift front channel cover (G), and slide weight channel (C), into slots (H), of tractor frame. NOTE: Weight (A), on weight channel must be downward. It may be necessary to loosen the two hex nuts (J, Fig. 2). One nut on each side of channel.
6. Tighten the two hex nuts (J, Fig. 2), securely.

This counterweight can be left on the tractor except when weight interferes with mounting of attachments.