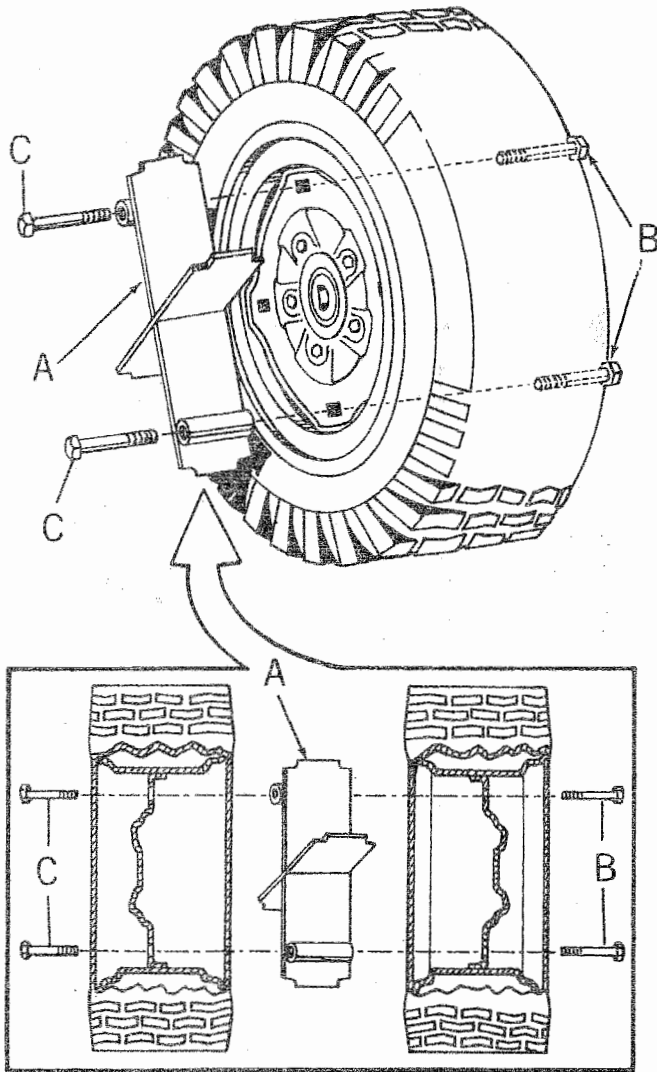


DUAL WHEEL SPACER ASSEMBLY INSTRUCTIONS



Bolt rim spacer weldment (A) to each rear wheel as shown with two $\frac{1}{2}$ x 4" bolts (B) furnished with rim spacers. NOTE: Bolts extend thru two of four holes in web of wheel as shown, and screw into threaded tubes of spacer. Bolt extra wheels to spacers with other two $\frac{1}{2}$ x 4 bolts (C) furnished. Tighten all bolts securely.

634x94

PARTS LIST

KEY LETTER	PART NUMBER	DESCRIPTION
A	634A367	Rim Spacer Weldment
B & C	122513	Hex Bolt $\frac{1}{2}$ - 13 x 4
----	9526H	Instruction Sheet